

TOPAZ

Proudly Australian
Owned, Designed &
Manufactured



Spacious



Convenient



Quality



Comfort



Performance

Australia's leading Off-Road Camper & Caravan Manufacturer



TRACK
TRAILER

TOPAZ *not just any old caravan...*

Track Trailer has a simple yet effective approach to camping. A caravan should compliment your "travelling / camping style". It should provide adequate storage areas that are easy to access and your bed area should always be clean and dry, made and completely ready. The Track Trailer Topaz achieves both flexibility and performance with a strong military pedigree and years of experience packaged into its clever dust sealed compartments.

Topaz's living space can be accessed at any time for easy roadside snack stops, with its roof still in travel position. To set up camp, simply lower the legs, raising the roof and even deploying the awning is done in mere minutes. When using your Topaz, your toughest choices will be whether to have the bed in the king or queen position, or perhaps whether to cook in or outside!

When travelling, the Topaz is compact and weight conscious to minimise the impact on fuel consumption and to ensure accurate tracking. Keeping all the main storage compartments in a low position has enhanced the Topaz's off road capabilities. Topaz is equipped with Track Trailer's unique military proven MC2 Asymmetric Link Suspension for superior on and off road performance. Topaz is built on a purpose engineered chassis featuring double welded torque tube construction and 'hot dip galvanised' for a long trouble free life. The system was developed to meet military performance criteria and ensures you can enjoy your travelling experience in complete comfort and confidence.

INSIDE

- Multi positional, swing around dining table giving maximum usable interior area and seating space for up to 5 people
- Leather upholstery
- Industrial quality surfaces (hard wearing and easy to clean)
- Full roof area pop-top providing greater internal space
- Tinted windows for privacy with roll down blinds
- Under bed storage area
- Full length robe
- Overhead storage lockers with friction hinges



KITCHEN

- Four burner stove and grill with range hood
- Sink with pressure hot (240V/LPG) & cold water
- Storage drawers (nothing lost at the back of cupboards)
- 240V & 12V outlets at bench height
- Wide, optimal height preparation areas
- Secure locking drawers and lockers
- 80 litre 12V/240V fridge
- Front storage boot with room for a 60 litre fridge
- Hot water tempering valve to prevent scalding



FEATURES

- 3/5 year manufacturer's warranty
- True off-road ability
- Large external storage locker system including tunnel boot & fridge slide
- Smooth powder coated finish for ease of cleaning
- Engineered with weight balance in mind
- Light weight, yet strong, fuel efficient design
- Integrated 100Ah AGM battery, lighting system, & 240V system with inbuilt 3 stage battery charger



TRACKTRAILER.COM.AU



ACCOMMODATION

- Maximised storage space
- Queen width bed with under mattress liner, convertible to King size
- Ventilation hatches with security mesh to allow effective air flow around bed area with comprehensive dust & water sealing
- Diffused roof lighting and individual reading lamps
- Storage pockets adjacent to external door for keys, mobile phones, etc
- Large external door for easy entry and exit using compression catches & incorporating unique ventilation door with security and sand fly mesh
- Optional portable toilet and external shower with ensuite tent, hot water and a dedicated storage location



SPECIFICATIONS

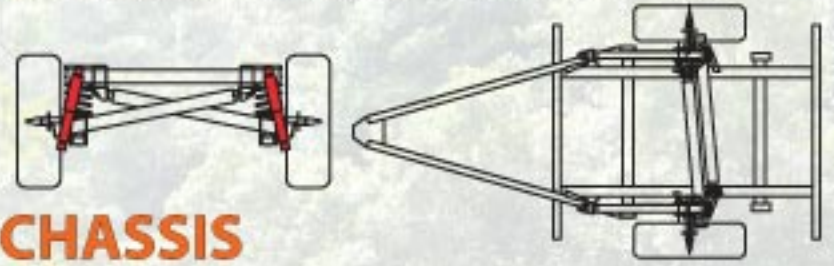
- Overall length **5920mm**
- Overall width **1990mm**
- Overall towing height **2400mm**
- Internal set up height **2070mm**
- Internal length **3990mm**
- Wheel track (nominal) **1680mm**
- Departure angle **20 degrees**
- Wheel travel **230mm**
- Tare mass **1550kg**
- Load capacity **Payload 440kg**
- Axle capacity **2000kg**
- LPG capacity **2 x 4kg cylinders**

Unique & Standard Features

- Track Trailer's unique frameless aluminium wall system incorporating inbuilt stiffeners
- Modern styling and design
- Wheel and tyres compatible to many tow vehicles
- Unique riveted exoskeleton construction to enhance body strength and provide effective impact protection on wall corners
- Engineered with weight balance in mind
- Spring loaded travel locks on all drawers
- Optimised routing of services for ease of maintenance
- Riveted and high strength bonded construction
- Retrofittable options system, allowing easy upgrades
- LED running lights
- Drawbar spirit level
- Swing up solid jockey wheel
- Lockable compression catches
- Protected water tanks & fillers
- Ergonomic layout
- Fuel efficient design

WET LOAD

- 2x70L food grade water tanks with gauges
- 14L Hot water service (240V / LPG)
- Space for up to four water or fuel jerry cans
- Hot & Cold electric pump to kitchen
- Optional External shower and ensuite facility

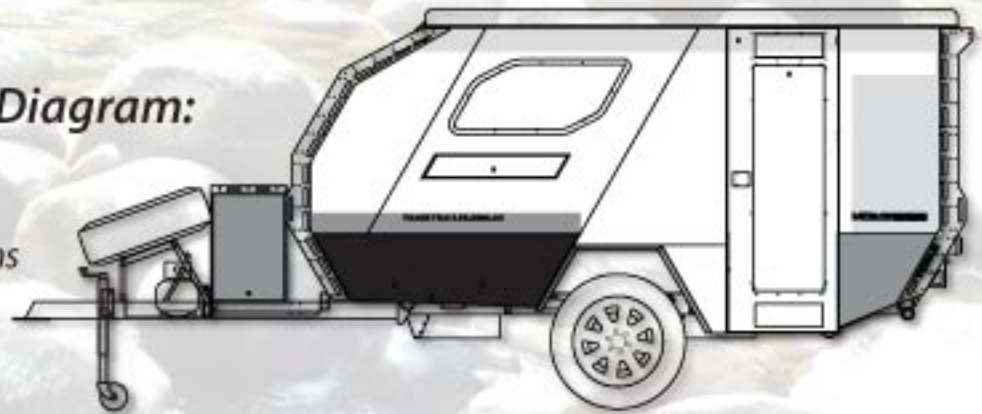


CHASSIS

- Rigid torque tube 'hot dipped galvanised' chassis with minimal length draw bar for accurate off-road towing. Unique MC2 asymmetric link independent suspension, featuring:
 - Low maintenance
 - Twin Koni high performance shock absorbers
 - Self steering geometry
 - Soft flat ride with directional stability
 - Long suspension travel
- **Brakes:**
12inch electric off-road - Controllable from the vehicle
- **Tow Coupling:**
Fully articulated DO35 with handbrake
- **Draw Bar Ball Weight:**
70kg(nominal)
(see 'load diagram' for weight distribution)

Topaz Load Diagram:

- Light items
- Medium items
- Heavy items



TRACK TRAILER

403 Dorset Road,
Bayswater 3153

P:1800 69 8826

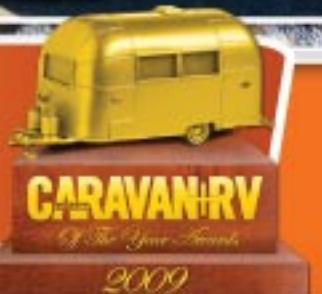
F: (03) 8727 6120

E: sales@tracktrailer.com.au



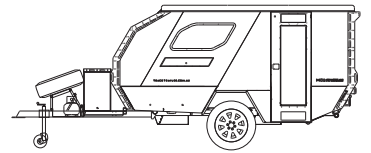
Topaz

"Built with 25 years of proven military confidence, backed by our 3/5 year warranty"



TRACKTRAILER.COM.AU

TOPAZ The Concept



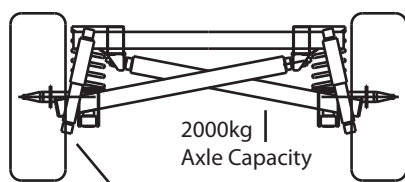
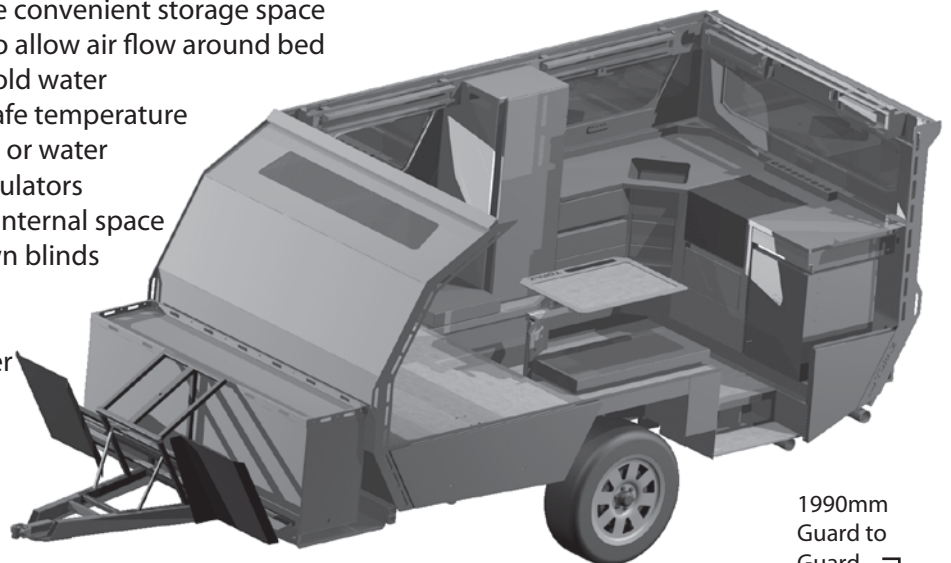
The Topaz range caters for all styles of caravanning and all levels of experience through our extensive range of models & options, allowing you to customise a Topaz to suit your personal requirements. The models are based on packages of options.

The Topaz boasts a huge range of standard features, from its clean finished exterior to its large preparation spaces around the sink and cook top. All cabinetry and body components are powder coated steel or aluminium, for strength.

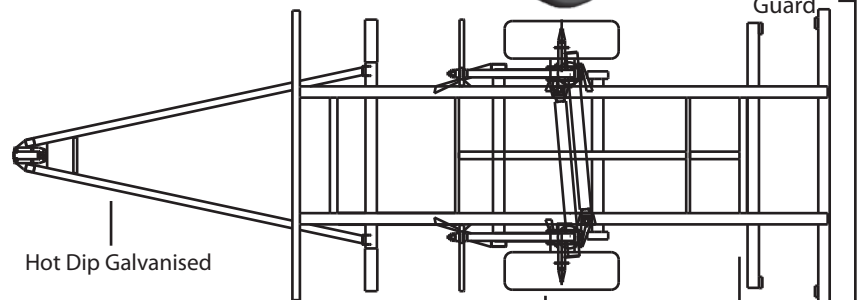
All Topaz's can be retro-fitted with most of the options from its extensive options list. This enables you to tailor your van to your camping style, destination and budget.

Standard fittings across all Topaz Models

- Track Trailers 'hot dipped galvanised' chassis with our MC2 Asymmetric Link military grade suspension, with coil springs and twin Koni shock absorbers to give exceptional on and off road performance
- 16 inch steel wheels with 265/75 R16 AT Tyres
- 20 degree departure angle with protective torque tubes for easier exit from channels
- Fully articulated DO-35 coupling for maximum off-road ability and on-road comfort
- 2 x 70L water tanks with level gauges plus 14L hot water service
- Integrated 100Ah AGM battery, lighting system, 240V system with inbuilt 3 stage battery charger
- Large external door for easy entry and exit with triple locking, incorporating inbuilt ventilation screen
- 80 litre 12V/240V fridge that's easily accessible with pop top down
- Front storage boot with firewood rack and room for an additional (optional) up to 60 litre fridge
- Effective stone deflectors assist in protecting your vehicle and Topaz from damage
- Queen width high density foam bed with under mattress liner, convertible to King size
- Large external locker system to maximise convenient storage space
- Ventilation hatches with security mesh to allow air flow around bed
- Sink with pressure hot (240V/LPG) and cold water
- Hot water tempering valve to ensure a safe temperature
- Up to four jerry can holders for extra fuel or water
- 2 x 4.0kg gas bottles, mountings and regulators
- Full roof area pop top providing greater internal space
- Tinted windows for privacy with roll down blinds
- Under bed storage area
- Leather upholstery
- Easy access spare wheel mount and cover
- 4 burner Swift stove with grill
- Wide, optimal height preparation areas
- 1550kg unladen tow weight
- 440kg of cargo load space
- 12 inch off-road electric brakes
- LED running lights
- Porch Light



Wheels and Tyres Matched to Tow Vehicle



1990mm Guard to Guard

TRACK
TRAILER

Proudly Australian
Owned, Designed &
Manufactured

1800 69 8826

sales@tracktrailer.com.au
Ph:03 8727 6100 Fax:03 8727 6120
403 Dorset Road, Bayswater 3153

